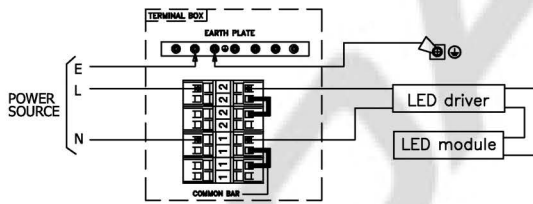
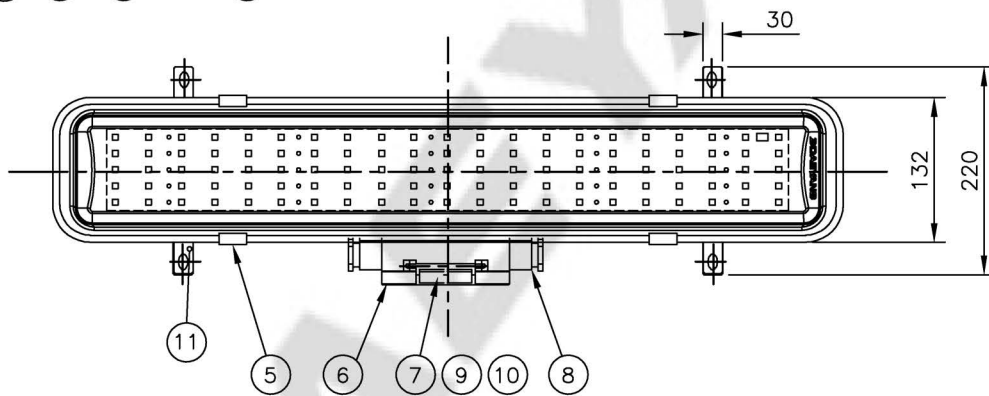
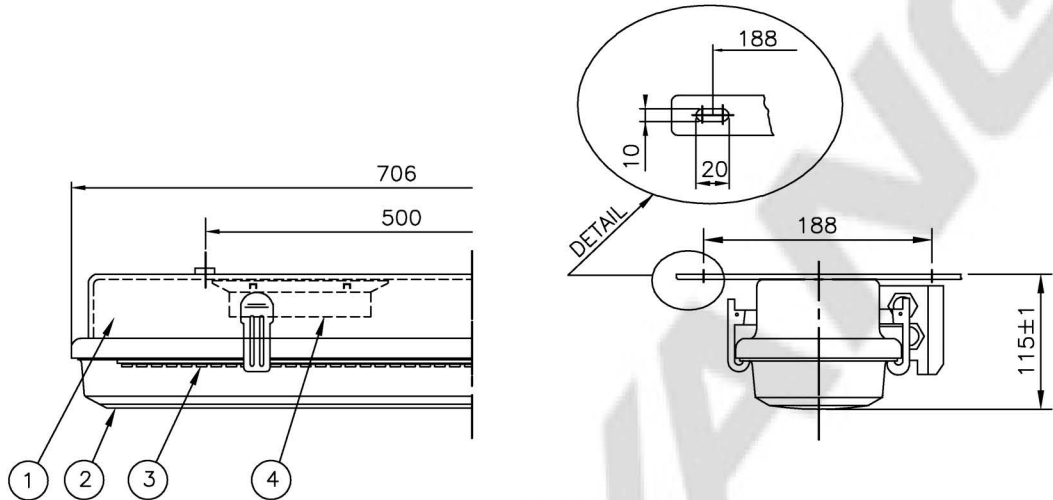
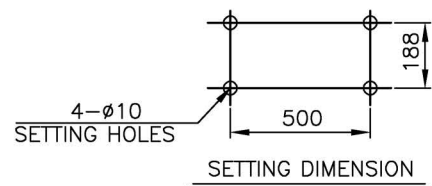


CAPACITY	SYMBOL/ SERIAL NO.	CIRCUIT DIAGRAM
AC220-240V, 50/60Hz		
25W		



CIRCUIT DIAGRAM



SETTING DIMENSION

11	OUTSIDE EARTH BOLT	STAINLESS STEEL304	1	M5					
10	TERMINAL BLOCK	-	1	CLAMPING 4P	5	LATCH	STAINLESS STEEL304	4	
9	INSIDE EARTH BOLT	STAINLESS STEEL304	4	M4	4	LED driver	-	1	
8	CABLE GLAND	NYLON	4	ø12.1~ø15.5	3	LED module	-	1	5,000±300K
7	TERMINAL BOX COVER	POLYCAR-BONATE	1		2	GLOBE	POLYCAR-BONATE	1	MILKY
6	TERMINAL BOX	POLYCAR-BONATE	1		1	BODY	STEEL	1	
NO	NAME OF PARTS	MATERIAL	Q'TY	REMARKS	NO	NAME OF PARTS	MATERIAL	Q'TY	REMARKS

APPROVED	B. K. KIM	UNIT	MM
CHECKED		SCALE	N/S
DRAWING	B. I. KIM	COLOR	N-9.3
DATE	2015.12.04	IP	56

TITLE; LED CEILING LIGHT (SURFACE TYPE) FOR MARINE USE



MODEL NO.	LEB125WS-0250SWNMGLw15AC50	WEIGHT	3.2 Kg
DWG NO.	LO1450219	SHEET NO.	2